

GENMOUNTS LT

BALLASTED SOLAR RACKING SYSTEMS

UL 487
CERTIFIED
SGS US - 710092



OUR FOCUS

Our objective is to provide customers with the highest quality solar mounting system at the lowest installed cost.

COMMITMENT

We are proud to provide products and services to the renewable industry, while restoring this nation's technology and manufacturing jobs.

RECOMMENDED APPLICATIONS

- Roof-top Installations
- Ground Installations
- Sealed Landfills
- Roofs with minimal load ratings
- Prevailing wage projects

PRODUCT FEATURES

- 100% universal mounting design; system can fit any commercial grade module without modification.
- Non-penetrating, flexible, ballasted PV mounting system.
- Designed to withstand wind loads up to 150 mph.
- Simplified assembly that consists of 2 main components and 2 fasteners.
- Top down compression clamps & serrated hardware provide integrated bonding. Arrays grounded at one point. (no clips or copper wire)
- Total array weight can be low as 3.0 lb./sf at the array.
- 2" conduit hole located on each side of pan.
- All parts can be re-used if the system is moved.

SYSTEM SPECIFICATIONS

- Pan Material: 0.063" thick Aluminum 5052-H32
- Pan Width: 30" minimum (5° PV tilt).
- Row Spacing: 8.2" (North-South)



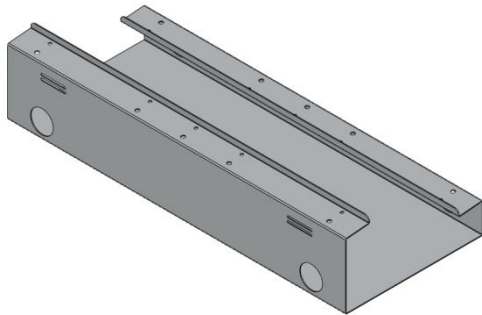
GENMOUNTS
SOLAR RACKING SYSTEMS



GENMOUNTS LT

BALLASTED SOLAR RACKING SYSTEMS

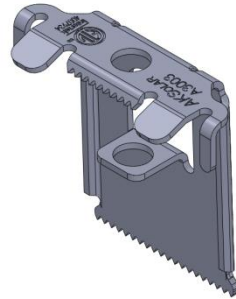
UL 487
CERTIFIED
SGS US - 710092



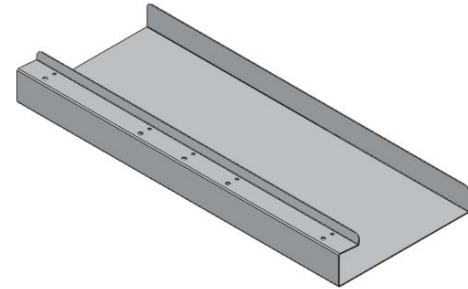
BALLAST PAN



BONDING MID-CLAMP

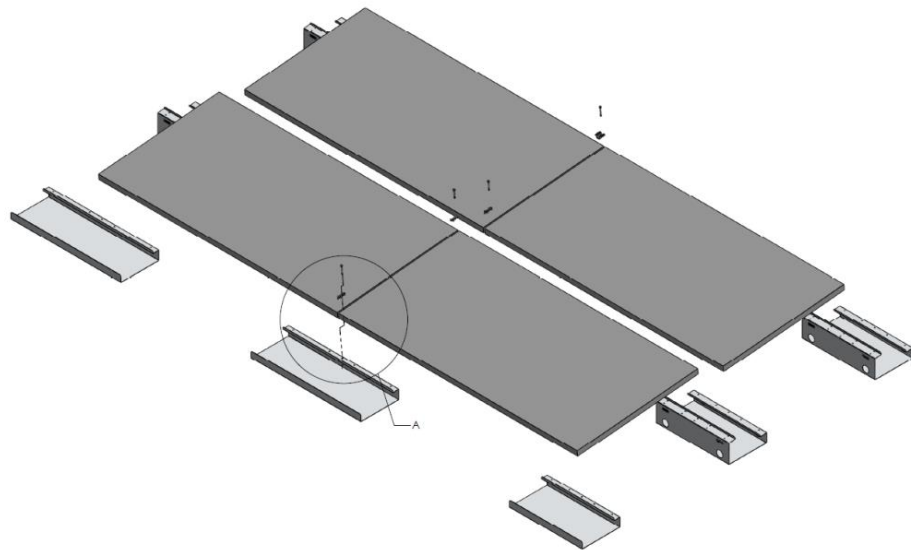
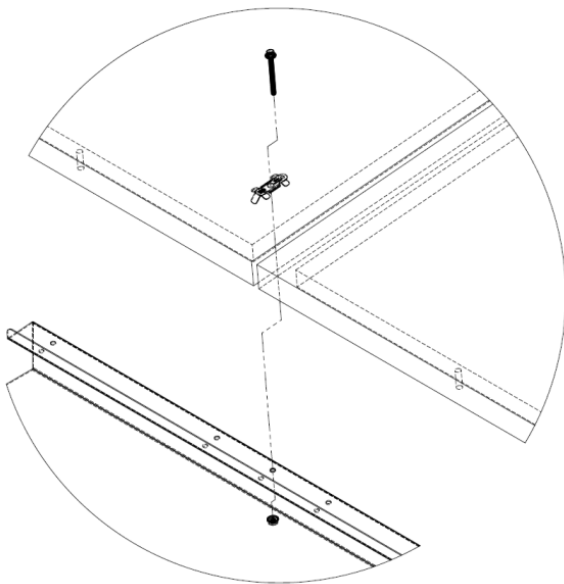


BONDING END-CLAMP



END PAN

Universal design consists of only 2 major components and top down compression bonding mid & end clamps.



GENMOUNTS
SOLAR RACKING SYSTEMS

