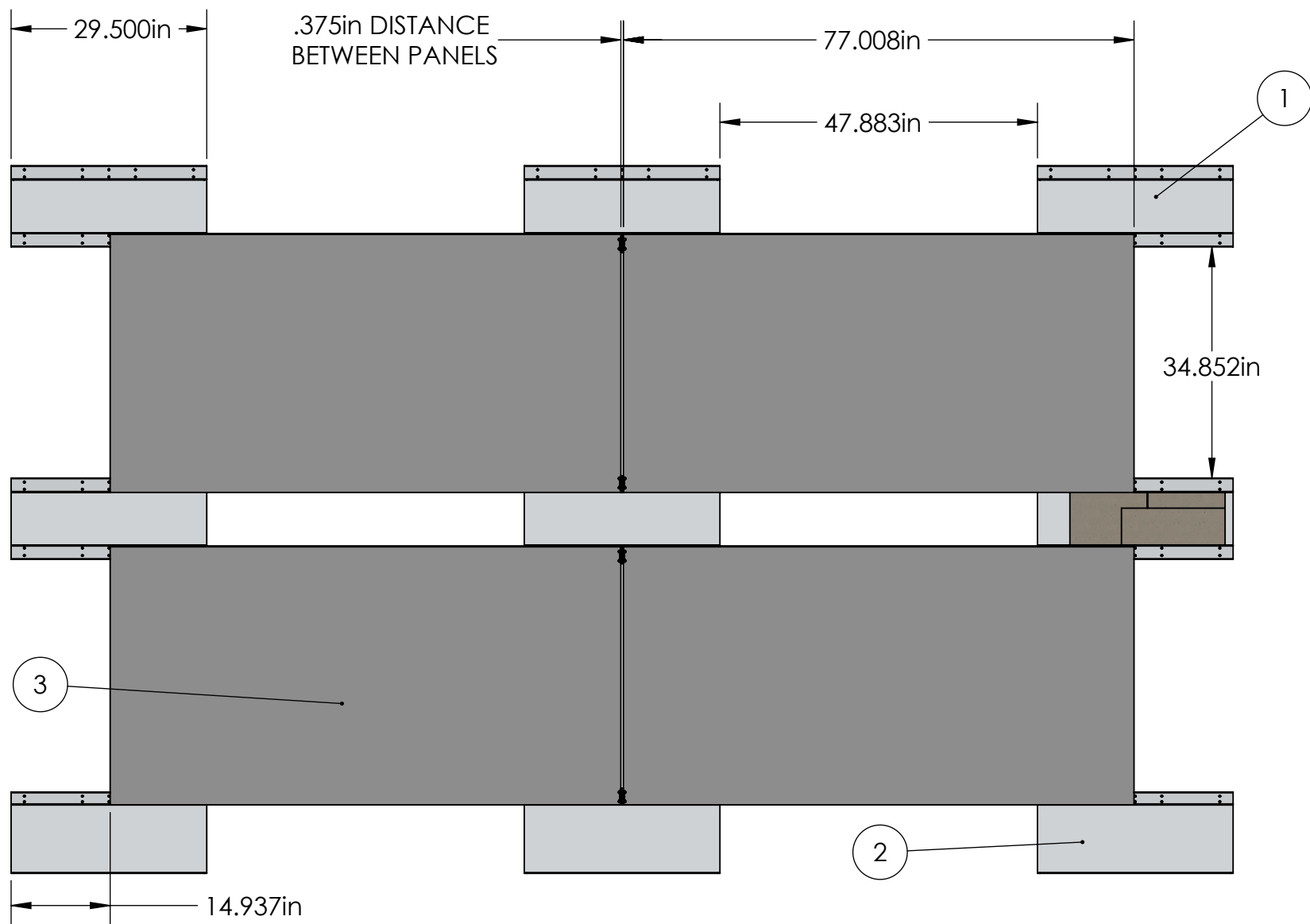
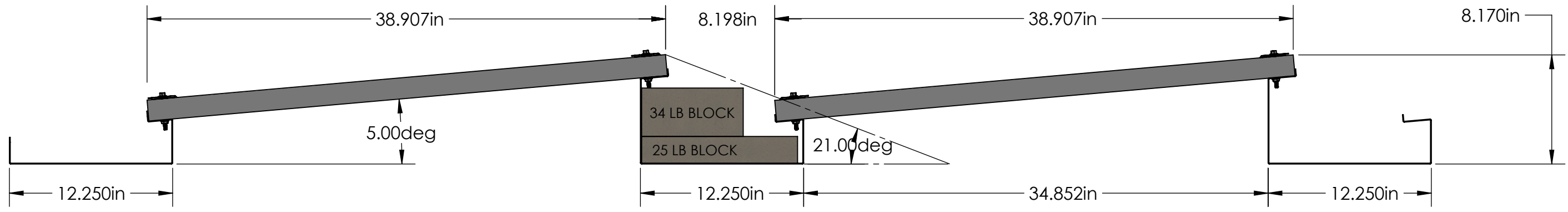


8 7 6 5 4 3 2 1



1. BALLAST PAN AND END PAN WILL BE CONSTRUCTED FROM .063 ALUM 5052.
2. ALL PARTS WILL BE STAMPED WITH PART NUMBER. (SEE PART PRINTER FOR NUMBER AND LOCATION)

GENMOUNTS LT RACKING SYSTEM			
ITEM NO.	PART NUMBER	DESCRIPTION	PART REVISION #
1	BP011-30	30" BALLAST PAN	0
2	EP011-30	30" END PAN	0
3	HELIENE 72M	PV MODULE	N/A

LAYOUT SHOWING THE HELIENE 72M PV MODULE AT 5° ELEVATION.

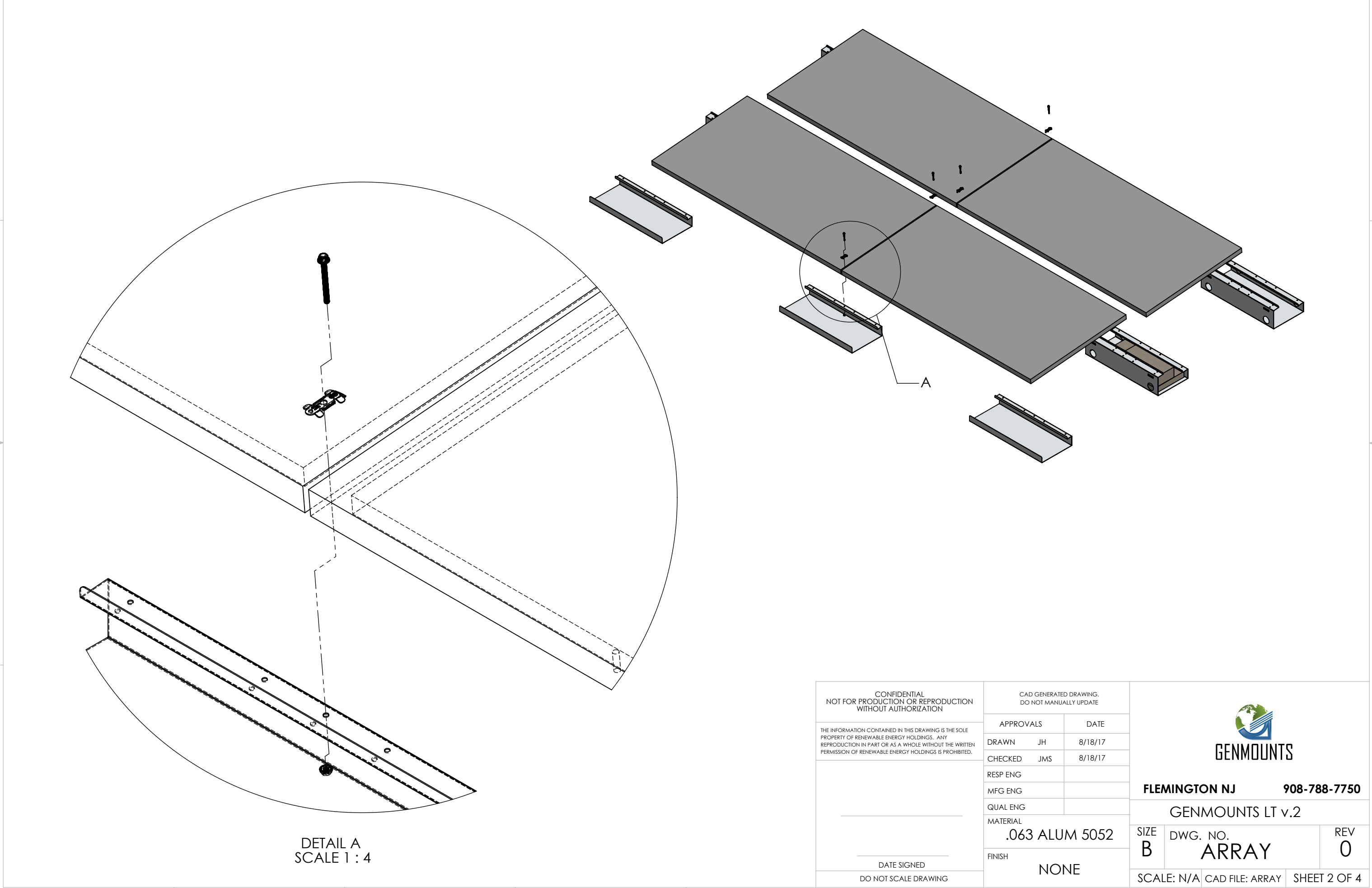
SYSTEM REVISIONS		
REV.	DESCRIPTION	DATE
0	ORIGINAL	8/18/17

CONFIDENTIAL NOT FOR PRODUCTION OR REPRODUCTION WITHOUT AUTHORIZATION	CAD GENERATED DRAWING. DO NOT MANUALLY UPDATE		
	APPROVALS	DATE	
DRAWN JH	8/18/17	GENMOUNTS LT v.2	
CHECKED JMS	8/18/17		SIZE B
RESP ENG	_____	DWG. NO. ARRAY	
MFG ENG	_____	REV 0	
QUAL ENG	_____	SCALE: N/A	
MATERIAL ALUM 5052	_____	CAD FILE: ARRAY	
FINISH NONE	_____	SHEET 1 OF 4	
DATE SIGNED	_____		
DO NOT SCALE DRAWING			


8 7 6 5 4 3 2 1

\\SERVER\Shred\REH\CAD LIBRARY\SolidWorks\Rocking System\Genmounts LT v.2\5° Heliene\72M Series\Rev.01

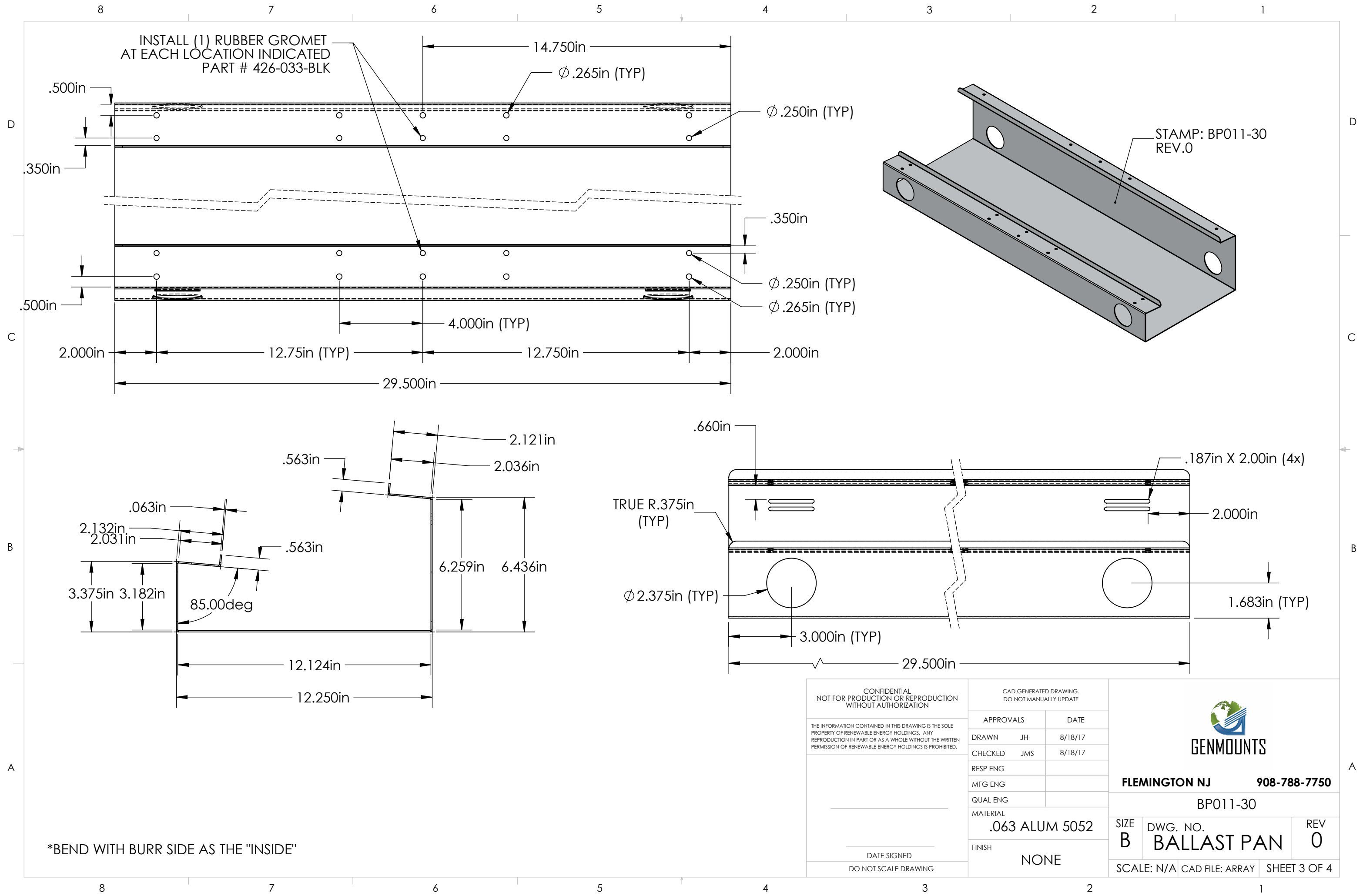
\\SERVER\Shared\RE\CAD LIBRARY\SolidWorks\Genmounts Rocking System\Genmounts LT v.2\5° Heliene\72M Series\Rev.01



DETAIL A
SCALE 1 : 4

<p>CONFIDENTIAL NOT FOR PRODUCTION OR REPRODUCTION WITHOUT AUTHORIZATION</p> <p>THE INFORMATION CONTAINED IN THIS DRAWING IS THE SOLE PROPERTY OF RENEWABLE ENERGY HOLDINGS. ANY REPRODUCTION IN PART OR AS A WHOLE WITHOUT THE WRITTEN PERMISSION OF RENEWABLE ENERGY HOLDINGS IS PROHIBITED.</p>	<p>CAD GENERATED DRAWING. DO NOT MANUALLY UPDATE</p>		 <p>GENMOUNTS</p>
	<p>APPROVALS</p> <p>DRAWN JH</p> <p>CHECKED JMS</p> <p>RESP ENG</p> <p>MFG ENG</p> <p>QUAL ENG</p> <p>MATERIAL .063 ALUM 5052</p> <p>FINISH NONE</p>	<p>DATE</p> <p>8/18/17</p> <p>8/18/17</p>	
<p>DATE SIGNED</p> <p>DO NOT SCALE DRAWING</p>	<p>SIZE B</p>	<p>DWG. NO. ARRAY</p>	<p>REV 0</p>
<p>SCALE: N/A</p>		<p>CAD FILE: ARRAY</p>	<p>SHEET 2 OF 4</p>

\\SERVER\Shred\REH\CAD LIBRARY\SolidWorks\Genmounts Rocking System\Genmounts LT v.2.5° Heliene\72M Series\Rev.0




CONFIDENTIAL
NOT FOR PRODUCTION OR REPRODUCTION
WITHOUT AUTHORIZATION

THE INFORMATION CONTAINED IN THIS DRAWING IS THE SOLE
PROPERTY OF RENEWABLE ENERGY HOLDINGS. ANY
REPRODUCTION IN PART OR AS A WHOLE WITHOUT THE WRITTEN
PERMISSION OF RENEWABLE ENERGY HOLDINGS IS PROHIBITED.

DATE SIGNED _____
DO NOT SCALE DRAWING

CAD GENERATED DRAWING.
DO NOT MANUALLY UPDATE

APPROVALS		DATE
DRAWN	JH	8/18/17
CHECKED	JMS	8/18/17
RESP ENG		
MFG ENG		
QUAL ENG		
MATERIAL	.063 ALUM 5052	
FINISH	NONE	



GENMOUNTS

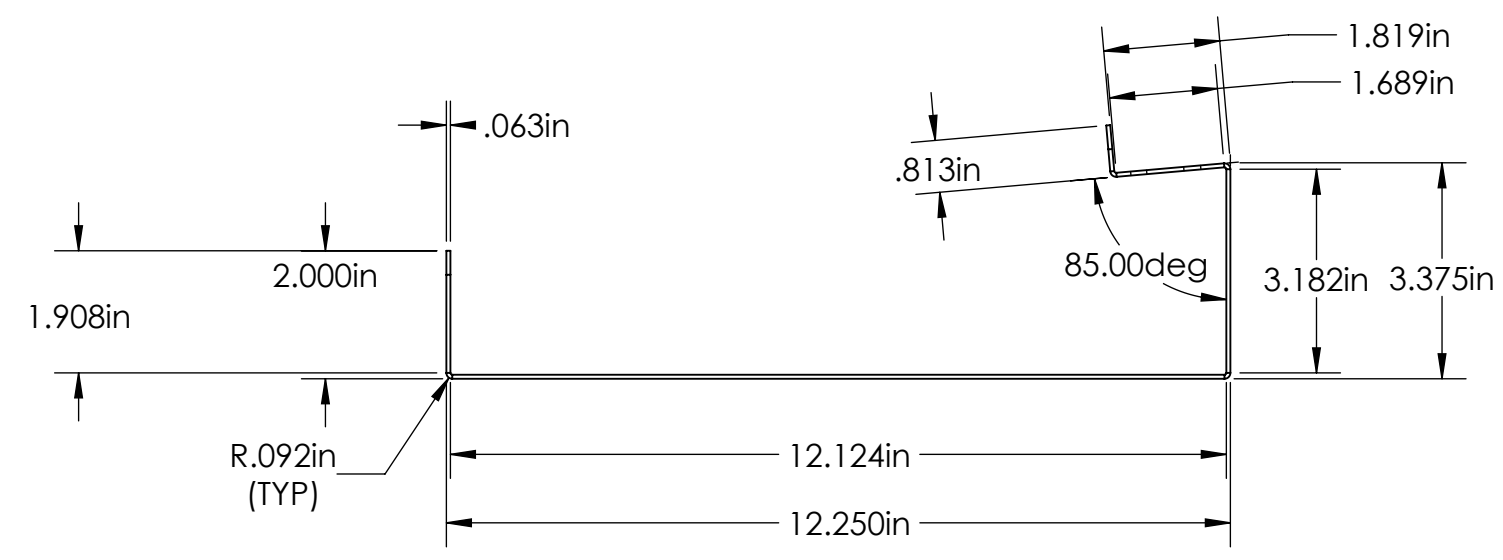
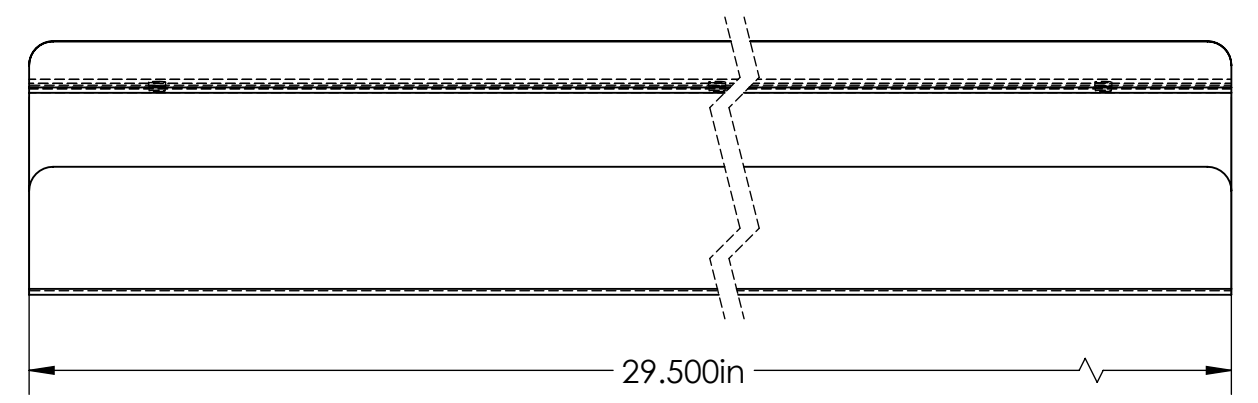
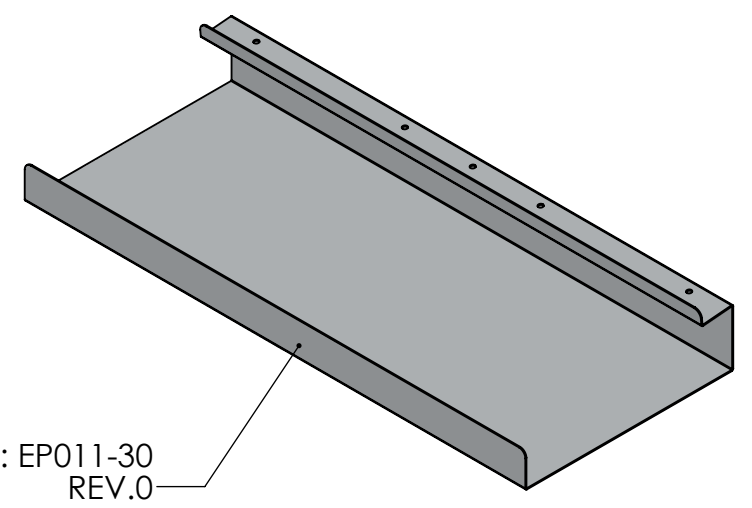
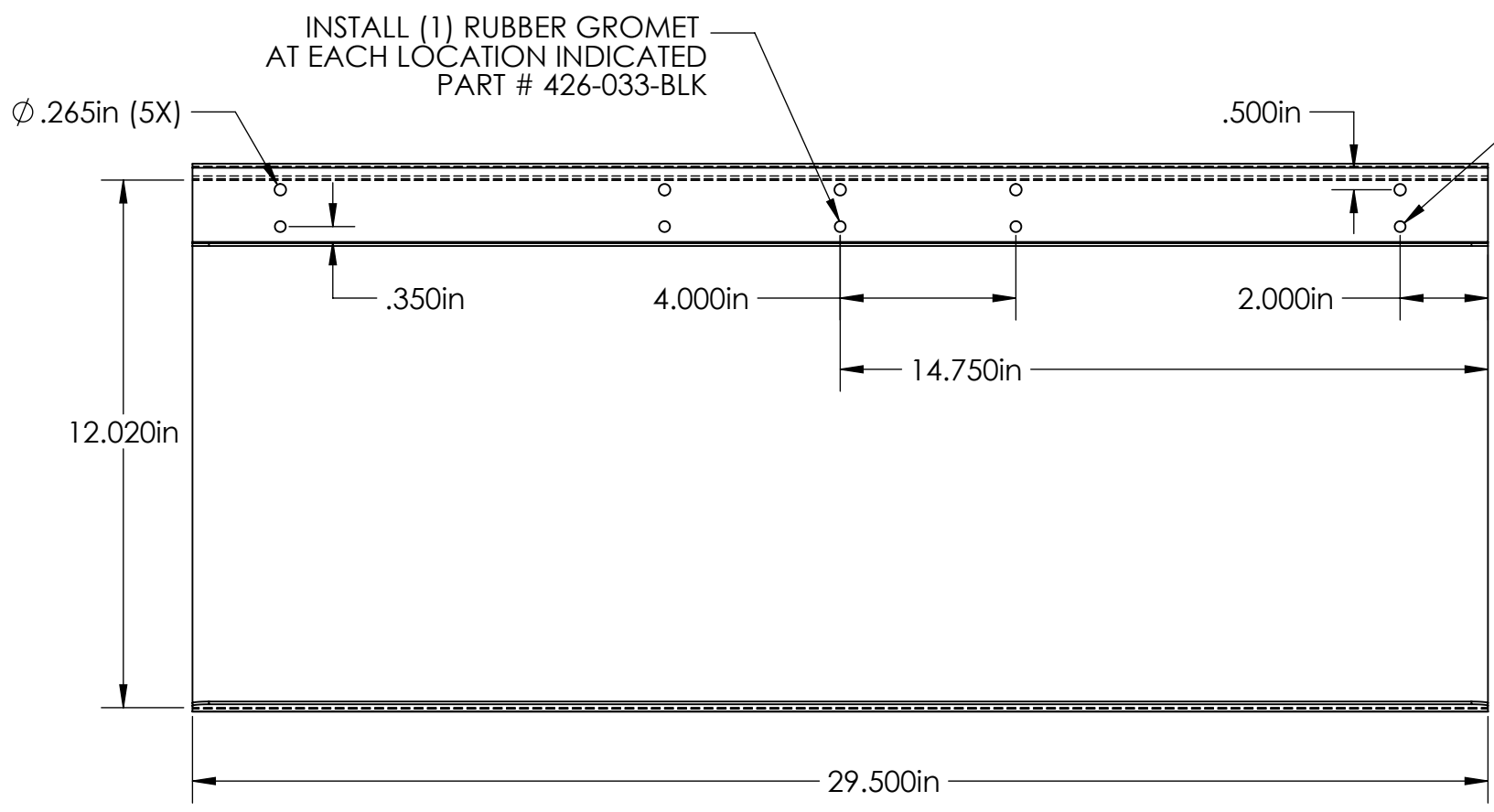
FLEMINGTON NJ 908-788-7750

BP011-30

SIZE B	DWG. NO. BALLAST PAN	REV 0
------------------	--------------------------------	-----------------

SCALE: N/A CAD FILE: ARRAY SHEET 3 OF 4

\\SERVER\Shred\RE\CAD LIBRARY\SolidWorks\Genmounts Rocking System\Genmounts LT v.2\5° Helix\72M Series\Rev.0



*BEND WITH BURR SIDE AS THE "INSIDE"

<p>CONFIDENTIAL NOT FOR PRODUCTION OR REPRODUCTION WITHOUT AUTHORIZATION</p> <p>THE INFORMATION CONTAINED IN THIS DRAWING IS THE SOLE PROPERTY OF RENEWABLE ENERGY HOLDINGS. ANY REPRODUCTION IN PART OR AS A WHOLE WITHOUT THE WRITTEN PERMISSION OF RENEWABLE ENERGY HOLDINGS IS PROHIBITED.</p>	<p>CAD GENERATED DRAWING. DO NOT MANUALLY UPDATE</p>		<p>GENMOUNTS</p> <p>FLEMINGTON NJ 908-788-7750</p>
	<p>APPROVALS</p> <p>DRAWN JH 8/18/17</p> <p>CHECKED JMS 8/18/17</p> <p>RESP ENG</p> <p>MFG ENG</p> <p>QUAL ENG</p> <p>MATERIAL .063 ALUM 5052</p> <p>FINISH NONE</p>	<p>DATE</p> <p>8/18/17</p> <p>8/18/17</p>	
<p>DATE SIGNED</p> <p>DO NOT SCALE DRAWING</p>	<p>SIZE B DWG. NO. END PAN REV 0</p>		<p>SCALE: N/A CAD FILE: ARRAY SHEET 4 OF 4</p>